

iQ500
KU15LA60M
Build-under refrigerator
Flat hinge

A++



Included accessories

- 1 x egg tray
- 1 x ice cube tray

- ✓ Vegetable container with lid offers an ideal storage location for fruit and vegetables.
- ✓ An A++ cooling appliance works very efficiently.
- ✓ The new extra deep door racks offer plenty of room for bottles of all heights and diameters.

Features

Technical Data

Built-in / Free-standing : Built-in
 Number of compressors : 1
 Number of independent cooling systems : 1
 Width of the product (mm) : 598
 Height (mm) : 820
 Depth of the product : 548
 Net weight (kg) : 34.199
 Required niche size for installation (HxWxD) : 820 x 600 x 550
 Door panel options : Possible but accessory
 Door hinge : Right reversible
 Number of Adjustable Shelves in fridge compartment : 1
 Shelves for Bottles : No
 Frost free system : No
 Interior ventilator : No
 Reversible Door Hinge : Yes
 Length electrical supply cord (cm) : 230
 Noise level (dB) : 38
 Multi-Flow Air Tower : No
 Economy setting : No
 Cold technology : 1 compressor/1 cold circuit
 Fast cooling switch : No
 Number of Door Bins - Refrigerator : 3
 Door bin adjustability - Refrigerator : No
 Tilt-out door bins in fridge : Yes
 Gallon Storage : Yes
 Number of Gallon storage : 1
 No. of shelves in fridge : 2
 Motorized Shelf : No
 Material of the shelves : Glas
 Door opened indicator freezer : No
 Connection Rating (W) : 90
 Current (A) : 13
 Voltage (V) : 220-240
 Frequency (Hz) : 50
 Storage Period in Event of Power Failure (h) : 10
 Approval certificates : CE, G-Mark, VDE
 Main colour of product : N/A
 Door panel options : Possible but accessory
 Installation typology : Built-under
 Noise level (dB) : 38
 Energy Star Qualified : No
 Plug type : GB plug
 Required cutout/niche size for installation (in) : x x
 Dimensions of the packed product (in) : 35.03 x 26.37 x 24.01
 Net weight (lbs) : 75
 Gross weight (lbs) : 82



iQ500
KU15LA60M
Build-under refrigerator
Flat hinge

Features

Main Features

- Height adjustable feet in the front

Design

- Interior with metal applications

Comfort and Safety

- Mechanical control
- 1 compressor/1 cold circuit
- Automatic defrost in fridge section

Fridge Section

- 2 safety glass shelves of which 1 are height adjustable
- Big pull out tray
- 2 vegetable containers with lid
- 1 door shelf large, 2 door shelf small
- Bottle holder in x-deep door tray
- 1x25 Watt Daylight
- 1x25 Watt Daylight in fridge section

Freezer Section

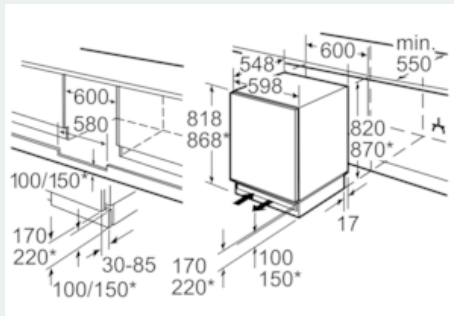
- 4 Star Freezer Compartment
- 1 ice cube tray with lid

Technical Information

- Total capacity: 131 litres
- Capacity refrigeration zone: 116 litres
- Freezer capacity: 15 litres
- Freezing capacity: 2 kg in 24 hours
- Storage time in power failure: 10 Hours
- Door right hinged, reversible
- Climate Class SN-ST
- Niche Dimension H X W x D: 82 cm cm x 60 cm x 55 cm
- Dimensions: H 82 cm x L 59.8 cm x D 54.8 cm
- Connection load: 90 W
- 1 x egg tray, 1 x ice cube tray
- Comfort and Safeness

iQ500
KU15LA60M
Build-under refrigerator
Flat hinge

Dimensioned drawings



* variable base/substructure height

Space for electrical connection next to the appliance on the left or right-hand side.
 Ventilation space in the base.

measurements in mm