

CT836LEB6 Fully automatic Built-in coffee machine



reddot design award
winner 2018

Built-in coffee center with Home Connect for perfect coffee indulgence with highest comfort.

- ✓ Intelligent Heater inside: The sensoFlow System guarantees maximum espresso indulgence every time, thanks to its ideal, constant brewing temperature
- ✓ aromaDouble Shot: Extra-strong coffee with less bitterness thanks to two grinding and brewing processes 19 bar
- ✓ coffeeSensor System: The intelligent grinder adapts to each bean variety and always grinds the perfect quantity
- ✓ steam blast: A fully-automatic steam cleaning after every beverage takes complete care of the daily cleaning of the milk system

Features

Technical Data

Frothing nozzle : No
 Water protection system : No
 Portion sizes : All cups
 Dimensions of the product (mm) : 455 x 594 x 385
 Dimensions of the packed product (HxWxD) (mm) : 540 x 478 x 670
 Required niche size for installation (HxWxD) : 449 x 558 x 356
 EAN code : 4242003800171
 Electrical connection rating (W) : 1600
 Current (A) : 10
 Voltage (V) : 220-240
 Frequency (Hz) : 50/60
 Plug type : Gardy plug w/ earthing



Included accessories

1 x water filter cartridge, 1 x assembly screws, 1 x scoop, 1 x test strip, 1 x milk container (insulated), 1 x connection hose for milk frother, 1 x milk pipe

CT836LEB6

Fully automatic Built-in coffee machine

Features

Flavour

- Innovative SensoFlow heating system - Fast first cup
- One-touch preparation: Ristretto, Espresso, Espresso Macchiato, Coffee, Cappuccino, Latte Macchiato, Caffè Latte at the touch of a button
- aromaDouble Shot: Extra-strong coffee with less bitterness thanks to two grinding and brewing processes
- Beverage temperature individually adjustable: Coffee: 3 grades, Hot water: 4 grades
- yes Brita water filter: Reduces the lime content of water and filters substances affecting smell and taste

Design

- black Steel Design

Convenience

- TFT display with interactive menu
- MyCoffee: Save favourite beverages with individual names and adjustable mixing ratio of milk and espresso
- individualCup Volume: Cup sizes adjustable individually (20-250 ml), to ensure your cup gets filled just as far as you would like it to
- Coffee outlet and yes height-adjustable: Up to 15 high Latte Macchiato glasses fit underneath
- Cappuccino: Prepare two cups simultaneously for all coffee and milk specialities
- Removable 2.4 litre water tank
- Early warning when bean container or water tank are close to empty
- Flexible milk solution: Decide for yourself if you prefer connecting the provided milk container or using any other container, e.g. a milk carton
- Short user manual always at hand inside appliance

Performance

- silentCeram Drive: High-value ceramic grinding unit
- coffeeSensor System: The grinding unit automatically adjusts to bean variety
- One-touch coffee milk specialities with especially fine-pored milk froth thanks to an innovative milk frother
- In addition to beverages also available separately: milk foam, warm milk, hot water
- Reduced heating-up time: fastest first cup!
- Water pump with 19 bar pressure
- Separate chute for pre-ground coffee
- 15.000 cup warranty: Consistently high appliance quality from the first cup to the 15,000th (valid for non-commercial use within 24 months)

Hygiene

- Removable brewing unit: Easy and hygienic cleaning under running water
- steam blast: Fully-automatic steam cleaning of the milk system after every beverage
- All milk nozzle parts are easily removable, separable, easy to clean and dishwasher-proof
- singlePortion Cleaning: Complete emptying of all pipes after each brewing process
- Automatic rinsing program when switched on or off
- Removable drip tray with container for coffee dregs

- Fully automatic descaling & cleaning program (combined Calc'n'Clean program available)
- Temperature adjustment

Extras

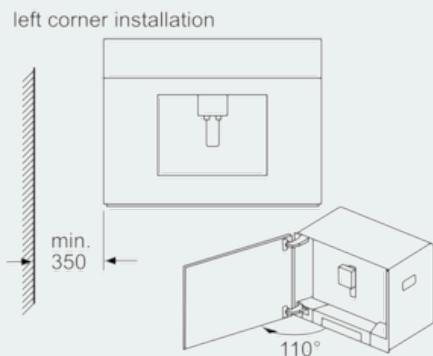
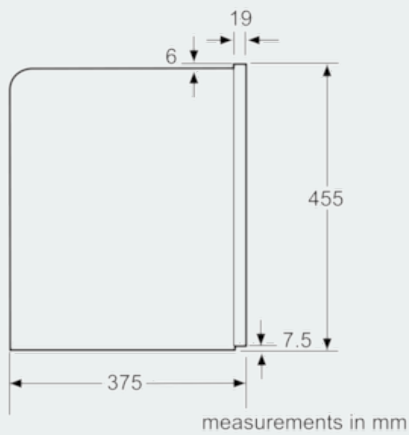
- Containers for water, milk and coffee beans are easily accessible but hidden behind a door, so the kitchen always looks clean
- Bean container with aroma protection lid (500 g volume)
- Illumination for keys, coffee outlet
- Grinding fineness adjustable (multi-level)
- Convenient quick rinsing function
- Child-proof lock: key lock preventing unintended brewing cycle
- Power 1700 W

Accessories

- Insulated milk container with FreshLock lid (0.5 l volume)
- Included accessories: 1 x water filter cartridge, 1 x assembly screws, 1 x scoop, 1 x test strip, 1 x milk container (insulated), 1 x connection hose for milk frother, 1 x milk pipe
- Separately available accessories: cleaning tablets (TZ80001), descaling tablets (TZ80002), BRITA Intenza water filter (TZ70003), care set for fully-automatic espresso makers (TZ80004), insulated milk container (TZ80009N)

CT836LEB6 Fully automatic Built-in coffee machine

Dimensioned drawings



If using the 92° hinge limiter (spare part no. 00636455), the minimum distance to the wall is only 100 mm.

measurements in mm

