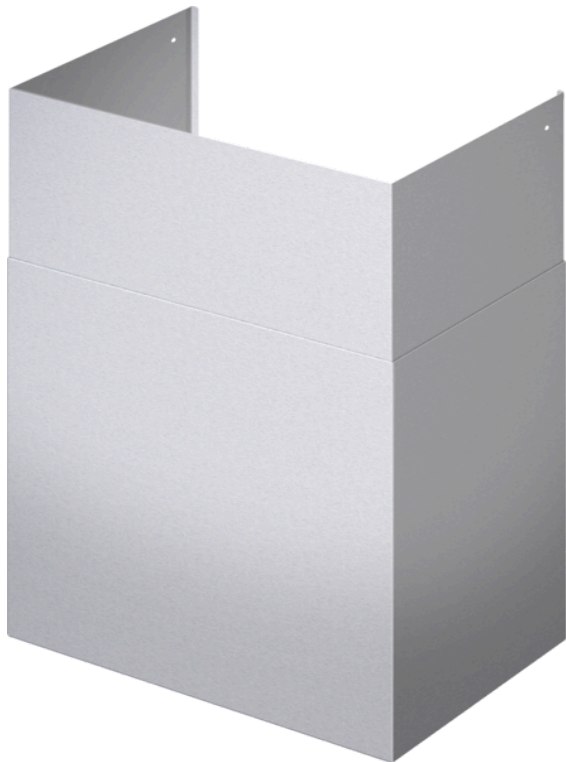




CHMHP36TSN
18" x 35" Duct Cover for 36" Pro Chimney Hood
36" Professional Series Chimney Wall Hood Duct Cover Accessory

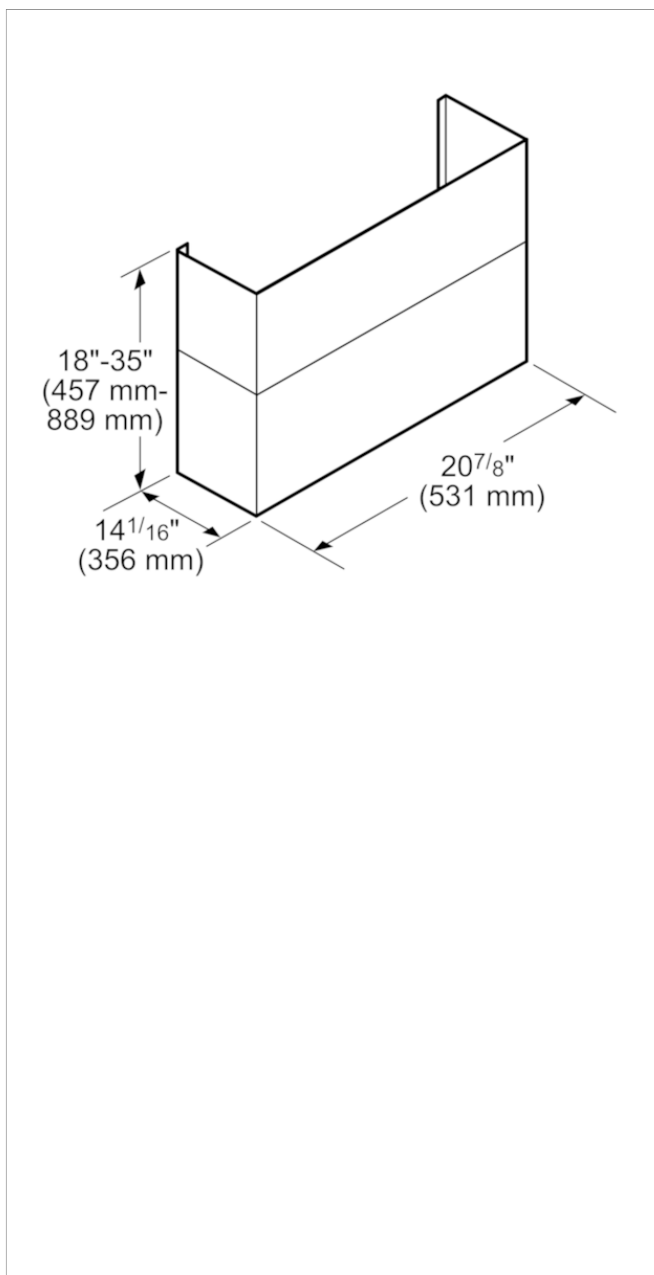


CHMHP36TSN
Design
Included accessories
825225911791

CHMHP36TSN

18" x 35" Duct Cover for 36" Pro Chimney Hood

36" Professional Series Chimney Wall Hood Duct Cover Accessory



Product Features

Product group: Accessory

Brand: Thermador

SKU: CHMHP36TSN

Internal article number: CHMHP36TSN

EAN code: 825225911791

Net weight (lbs): 23

Gross weight (lbs): 24

UPC code: 825225911791

Name of product image:

MCSA00782422_CHMHP36TSN_def.jpg

Consumption and connection features

2018-11-20