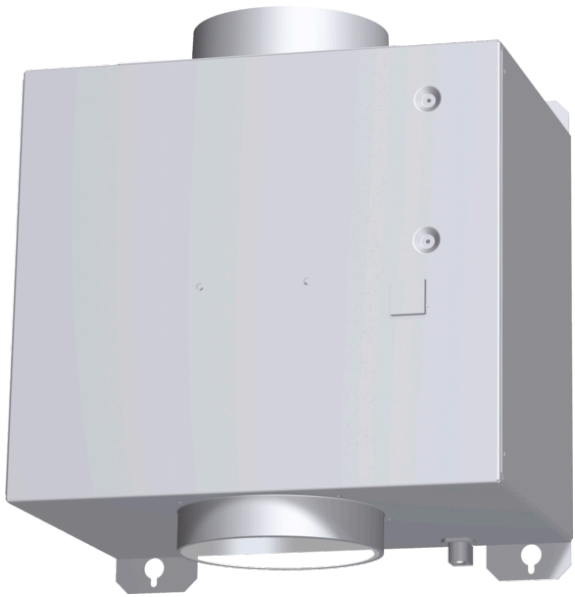


VTI610P
600 CFM In-line Blower



VTI610P

- Designed to be mounted inline with the ducting installation
- Inline blowers can be mounted remotely to minimize blower noise in the cooking area
- Cable connected to blower and hood controls with a length of 30 ft.

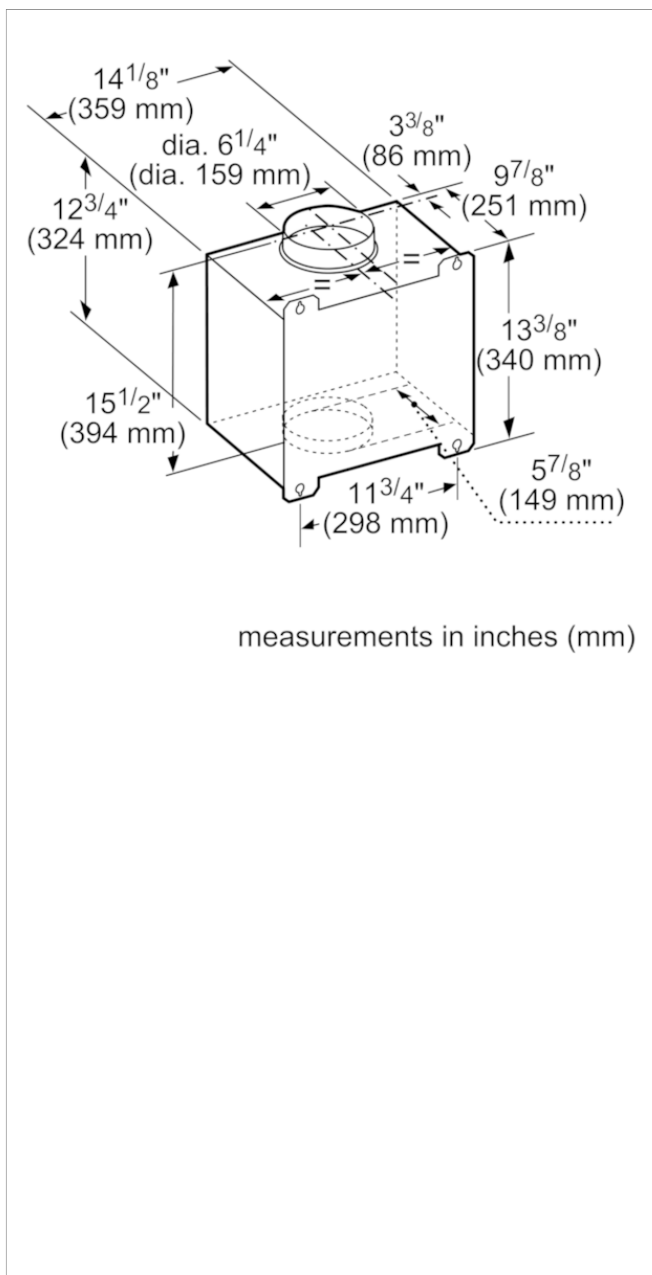
Optional accessories

EXTNCB25 25' Blower Connection Cable

Included accessories

825225918875

VTI610P 600 CFM In-line Blower



Product Features

Product group: Accessory

Brand: Thermador

SKU: VTI610P

Internal article number: VTI610P

EAN code: 825225918875

Product packaging dimensions (HxWxD) (in): 15 3/4" x 19 5/16" x 25 3/16"

Net weight (lbs): 23

Gross weight (lbs): 25

UPC code: 825225918875

Name of product image: MCSA036811_VTI610D_def.jpg

Consumption and connection features

2018-10-16