

**Serie | 6**
**SMV68MD00G**

**PerfectDry Dishwasher 60cm  
Fully integrated DoorOpen  
Assist - perfectly designed for  
kitchens without handles**


**Optional accessories**

SMZ5001 : Baby care kit  
SMZ5005 : Compensating + fixing kit, stainl. steel  
SMZ5100 : Vario-cutlery basket

**Rely on PerfectDry for excellent drying results on challenging dishes, glassware and even plastic.**

**A+++**

- **PerfectDry based on Zeolith®:** perfect drying results with 3D Airflow even on plastic dishes.
- **Silence Program and SuperSilence:** remarkably quiet at 44dB, more so with the Silence program.
- **Glass 40°C:** protective program for gently cleaning and drying glasses.
- **VarioFlex baskets with touchpoints and VarioDrawer:** enhanced re-adjusting options, highlighted in red.
- **TimeLight:** program status and remaining time clearly displayed on floor in high resolution.

**Technical Data**

Water consumption (l) :	7.5
Construction type :	Built-in
Height of removable worktop (mm) :	815
Required niche size for installation (HxWxD) :	815-875 x 600 x 550
Depth with open door 90 degree (mm) :	1150
Adjustable feet :	Yes - front only
Maximum adjustability feet (mm) :	60
Adjustable plinth :	both horizontal and vertical
Net weight (kg) :	41.4
Gross weight (kg) :	44.0
Connection rating (W) :	2400
Current (A) :	13
Voltage (V) :	220-240
Frequency (Hz) :	50; 60
Length of electrical supply cord (cm) :	175
Plug type :	GB plug
Length inlet hose (cm) :	140
Length outlet hose (cm) :	190
EAN code :	4242005041510
Number of place settings :	13
Energy efficiency class (2010/30/EC) :	A+++
Energy consumption annual (kWh/annum) - NEW (2010/30/EC) :	211
Energy consumption (kWh) :	0.73
Power consumption in left-on mode (W) - NEW (2010/30/EC) :	0.50
Power consumption in off-mode (W) - NEW (2010/30/EC) :	0.50
Water consumption annual (l/annum) - NEW (2010/30/EC) :	2100
Drying performance :	A
Reference programme :	Eco
Total cycle time of reference programme (min) :	225
Noise level (dB(A) re 1 pW) :	44
Installation type :	Full-integrated



## Serie | 6 Dishwashers

### SMV68MD00G

#### PerfectDry Dishwasher 60cm Fully integrated DoorOpen Assist - perfectly designed for kitchens without handles

#### Rely on PerfectDry for excellent drying results on challenging dishes, glassware and even plastic.

##### Performance

- Energy Efficiency Class: A+++
- Capacity: 13 place settings
- Energy consumption in Eco 50 programme: 10% more economical (211 kWh/annum) than the standard value (235 kWh/annum) for qualifying for energy efficiency class A+++ per year, based on 280 standard cleaning cycles
- Water consumption in Eco 50 programme: 2100 litres per year, based on 280 standard cleaning cycles
- Programme time in Eco 50 programme: 225 minutes
- A rated performance for washing and A for drying
- Noise level dB (A) re 1pW: 44 dB
- Noise level (silence programme): 42 dB(A) re 1 pW
- Energy consumption in Eco 50 programme: 0.73 kWh
- Water consumption in Eco 50 programme: 7.5 litres

##### Programmes/functions

- 8 programmes: Intensive 70 °C, Auto 45-65 °C, Eco 50 °C, Silence 50 °C, Short 60 °C, Glass 40 °C, Quick 45 °C, Pre rinse
- 4 special options: Intensive Zone, VarioSpeed Plus, Hygiene Plus, Extra Dry
- Machine Care Programme
- 6 temperatures
- Zeolith - Energy efficient and perfect drying results

##### Flexible design elements

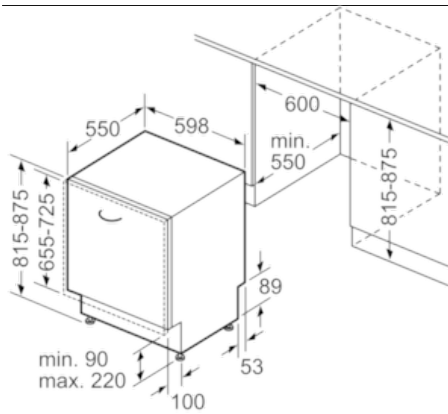
- VarioFlex basket system
- Silver baskets with Bosch branded handle
- VarioDrawer - loading of cutlery on 3rd level
- 3 stage Rackmatic height-adjustable top basket
- 2 foldable plate racks in top basket
- 4 foldable plate racks in bottom basket
- 2 foldable cup shelves in top basket

##### Innovations and technology

- DoorOpen Assist - perfectly designed for kitchens without handles
- Zeolith - Energy efficient and perfect drying results
- Heat exchanger - Hygienic and efficient drying
- DosageAssist detergent dispenser
- Automatic detergent detection
- ActiveWater hydraulic water system
- EcoSilence BLDC drive
- AquaSensor III, Load Sensor
- AquaMix - Glass protection system
- AquaStop anti flood device with guarantee
- Curved spray arms - Optimum water distribution

##### Design features

- Zeolith - Energy efficient and perfect drying results
- Touch Control (metallic)
- DoorOpen Assist - perfectly designed for kitchens without handles
- Push button top edge controls
- Acoustic end of cycle indicator, Time remaining indicator (min), TimeLight - White light projection on floor, water inlet indicator
- TimeLight - White light projection on floor
- Electronic time delay: 1-24 hours with Acoustic end of cycle indicator, water inlet indicator
- ChildLock - double push to open
- Push button top edge controls
- Stainless steel interior
- Colour of indicators: red/white
- LED salt refill indicator, LED rinse aid refill indicator
- Alternating spray arms
- ChildLock - double push to open
- Large item spray head, steam protection plate
- Self-cleaning filter system with 3 piece corrugated filter
- Acoustic end of cycle indicator
- Front-adjustable rear foot
- Dimensions (HxWxD): 81.5 x 59.8 x 55cm
- Efficiency information relates to the Eco 50 programme. This programme is suitable for cleaning normally soiled tableware and is the most efficient programme in terms of combined energy and water consumption.

**Serie | 6 Dishwashers****SMV68MD00G****PerfectDry Dishwasher 60cm****Fully integrated DoorOpen Assist - perfectly designed for kitchens without handles**

measurements in mm