

**Serie | 2**
**PKU375CA1E**  
**30 cm, Barbecue grill**


**Included accessories**  
 1 x lava stones

**The Lava Grill hob of the Domino programme: grill perfectly using the intense, even heat of lava stones.**

- **30 cm width:** suitable for combining with other Domino and ComfortProfile hobs.
- **Glass-ceramic cover:** elegant hob cover that is easy to clean.
- **Lava grill function:** for grilling with lava stones and water or with water alone.

**Technical data**

Product name/family :	Vario/Domino barbecue grill
Built-in / Free-standing :	Built-in
Energy input :	Electric
Type of control :	mechanical
Grill grating material :	Cast iron
Required niche size for installation (HxWxD) :	235 x x
Width of the product (mm) :	306
Dimensions of the product (mm) :	235 x 306 x 527
Dimensions of the packed product (HxWxD) (mm) :	280 x 390 x 610
Net weight (kg) :	12.0
Gross weight (kg) :	14.0
Residual heat indicator :	without
Basic surface material :	Cast iron
Color of surface :	Alu, brushed, Black
Color of frame :	Alu, brushed
Approval certificates :	CE, VDE
Length electrical supply cord (cm) :	100
Electrical connection rating (W) :	2400
Current (A) :	13
Voltage (V) :	220-240
Frequency (Hz) :	50; 60



## Serie | 2 Modular grill

### PKU375CA1E

#### 30 cm, Barbecue grill

**The Lava Grill hob of the Domino programme: grill perfectly using the intense, even heat of lava stones.**

---

#### **Design:**

- Enable you to design your own cooking centre using various kinds of hobs
- Can be combined with any domino glass ceramic hobs
- HighSpeed ceramic glass
- Total connected load: 2.5kW

#### **Feature:**

- Operated via a fixed control
- 9 stages of power setting
- Stainless steel grill to be used with water bath with water drainage or lava stones
- Electric cable, without plug

#### **Environment & safety:**

- Power on indicator light
- Can be used as water bath with water drainage

#### **Technical Information:**

- 1 big grill zone on cast pan support

#### **Dimensions (H x W x D):**

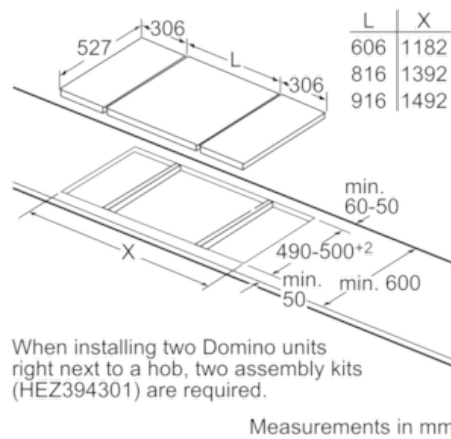
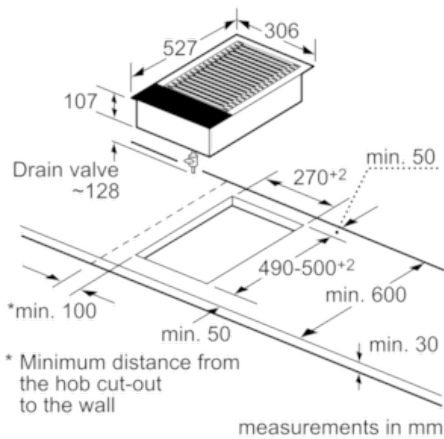
#### **Cut out Dimensions (H x W x D):**

- Min. worktop thickness: 30 mm

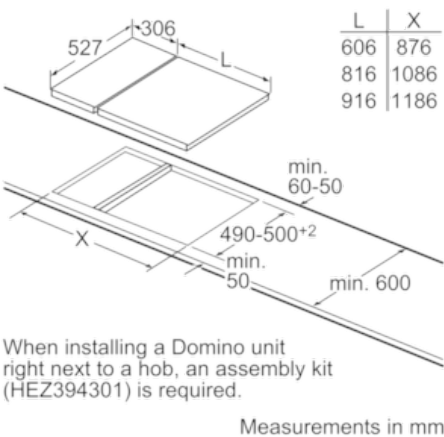
## Serie | 2 Modular grill

### PKU375CA1E

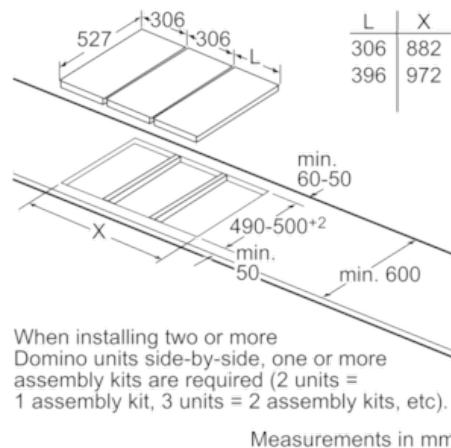
### 30 cm, Barbecue grill



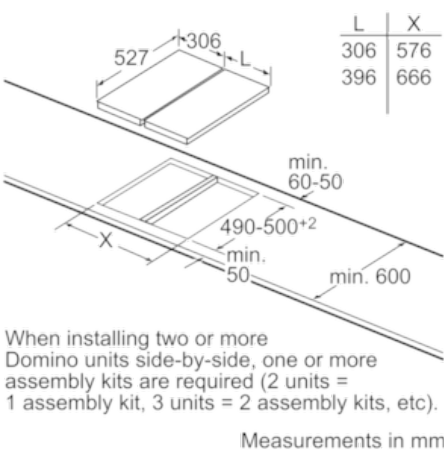
When installing two Domino units right next to a hob, two assembly kits (HEZ394301) are required.



When installing a Domino unit right next to a hob, an assembly kit (HEZ394301) is required.

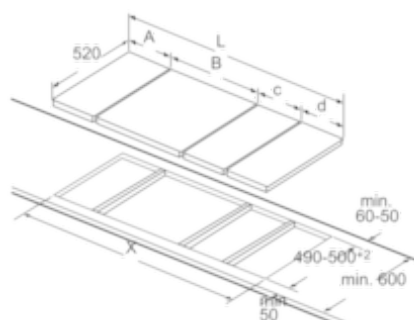


When installing two or more Domino units side-by-side, one or more assembly kits are required (2 units = 1 assembly kit, 3 units = 2 assembly kits, etc.).



When installing two or more Domino units side-by-side, one or more assembly kits are required (2 units = 1 assembly kit, 3 units = 2 assembly kits, etc.).

Picture for the table Domino combination possibilities with corresponding devices and cutout dimensions



If two or more elements are installed right next to one another, one or several installation kits are required (2 elements 1 installation kit, 3 elements 2 installation kits, etc.).

Cutout dimension (X) depending on the combination see table:

## Serie | 2 Modular grill

### PKU375CA1E

### 30 cm, Barbecue grill

Domino combination options with  
corresponding appliance and cut-out dimensions

Width type: 30 40 60 70 80 90  
Appliance width: 306 396 606 710 816 916

	A	B	C	D	L	X
2x30	306	306	-	-	612	576
1x30, 1x40	306	396	-	-	702	666
1x30, 1x60	306	606	-	-	912	876
1x30, 1x70*	306	710	-	-	1016	980
1x30, 1x80	306	816	-	-	1122	1086
1x30, 1x90	306	916	-	-	1222	1186
2x40	396	396	-	-	792	756
1x40, 1x60	396	606	-	-	1002	966
1x40, 1x70*	396	710	-	-	1106	1070
1x40, 1x80	396	816	-	-	1212	1176
1x40, 1x90	396	916	-	-	1312	1276
3x30	306	306	306	-	918	882
2x30, 1x40	306	306	396	-	1008	972
2x30, 1x60	306	306	606	-	1218	1182
2x30, 1x70*	306	306	710	-	1322	1286
2x30, 1x80	306	306	816	-	1428	1392
2x30, 1x90	306	306	916	-	1528	1492
1x30, 2x40	306	396	396	-	1098	1062
1x30, 1x40, 1x60	306	396	606	-	1308	1272
1x30, 1x40, 1x70*	306	396	710	-	1412	1376
1x30, 1x40, 1x80	306	396	816	-	1518	1482
1x30, 1x40, 1x90	306	396	916	-	1618	1582
2x40, 1x60	396	396	606	-	1398	1362
4x30	306	306	306	306	1224	1188
3x30, 1x40	306	306	306	396	1314	1278

\* Not possible with 70 cm induction hob

Assembly kit (HEZ394301)  
for Domino

