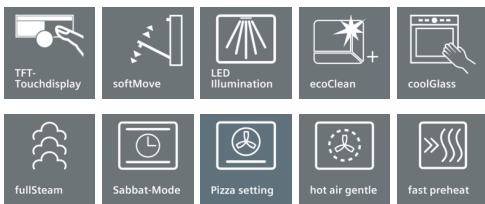


iQ700 CS656GBS1, Stainless steel Compact steam oven



The compactoven with fullSteam function

- ✓ TFT Touchdisplay: user-friendly menu navigation with good display features.
- ✓ cookControl Plus: guaranteed success for numerous dishes.
- ✓ pulseSteam: for crispy crusts and juicy roasts.
- ✓ ecoClean Plus: effortless cleaning thanks to a special coating.
- ✓ Energy efficiency class A+: For more efficient roasting and baking.

Features

Technical Data

Color / Material Front : Stainless steel
 Built-in / Free-standing : Built-in
 Door opening : Drop down
 Required niche size for installation (HxWxD) : 450-455 x 560-568 x 550
 Dimensions of the product (mm) : 455 x 594 x 548
 Dimensions of the packed product (HxWxD) (mm) : 520 x 650 x 710
 Control Panel Material : Stainless steel
 Door Material : Glass
 Net weight (kg) : 35.2
 Approval certificates : CE, VDE
 Length electrical supply cord (cm) : 150
 Cooking method : , 4D hot air, Bottom heat, Conventional heat, Deep-frozen food special, Defrost, fermentation, Full width grill, Half width grill, Hot Air-Eco, Hot air grilling, low temperature cooking, Pizza setting, pre-heating, Regeneration, Steam 100%, warming
 Time-setting Options : Start and Stop
 Current (A) : 16
 Voltage (V) : 220-240
 Frequency (Hz) : 50; 60
 Plug type : Gardy plug w/ earthing
 Approval certificates : CE, VDE
 Color / Material Front : Stainless steel
 Energy input : Electric
 Current (A) : 16
 Voltage (V) : 220-240
 Frequency (Hz) : 50; 60
 Approval certificates : CE, VDE
 Plug type : Gardy plug w/ earthing
 Net weight (lbs) : 78
 Gross weight (lbs) : 82



iQ700

CS656GBS1, Stainless steel

Compact steam oven

Features

Design:

- Full Color TFT display
- Handle with professional look door
- Rotary knob

Features:

- Cavity volume: 47 l
- Compact steam oven with 13 heating methods: 4D hot air, Hot Air-Eco, conventional, Conventional heat ECO, hot air grilling, Full width grill, Half width grill, pizza setting, Deep-frozen food special, bottom heat, low temperature cooking, keep warm, plate warming
- Additional heating methods with steam: Steam, Reheating, Dough proving, Defrost
- Number of cooking modes: 13 PC
- Full-glass inner door
- Cavity inner surface: Enamel anthracite
- Electronic clock timer
- Illumination type: LED light
- Integral cooling fan
- Temperature range 30 °C - 250 °C
- 3 shelf positions: Removable wire shelf support rails
- Location steam generator: Outside cavity
- Additional functions:
 - Descaling programme
 - autom. boiling point detection
 - Drying function
- Drop down door, soft closing, soft opening
- Door temperature: 40 °C
- Rapid heating-up: automatic
- Water tank capacity 1 l
- Tank empty indicator
-
- Door temperature: 40 °C

soft closing, soft opening, Drop down door

- Grill element: fixed assembled
- Number of glass panes: 3 PC
- Electronic functions : Sabbath function, Actual temperature display, Heating-up indicator, Digital temperature display with proposal
- Rapid heating-up: automatic
- Child safety button
 - Automatic safety switch off
 - Residual heat indicator
 - start button
 - Door contact switch
- Ecolyse features: ceiling, back panel, side liners
- Energy efficiency: -20%

Dimensions:

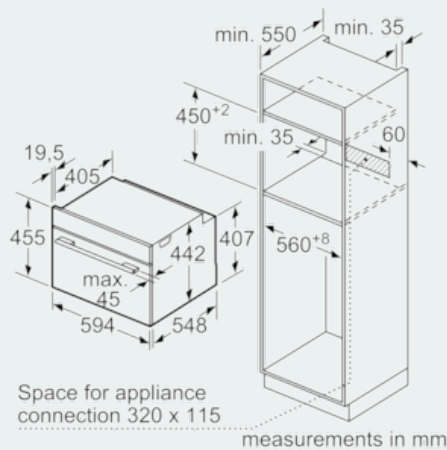
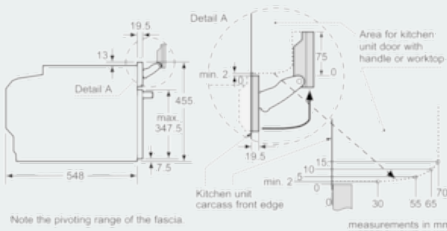
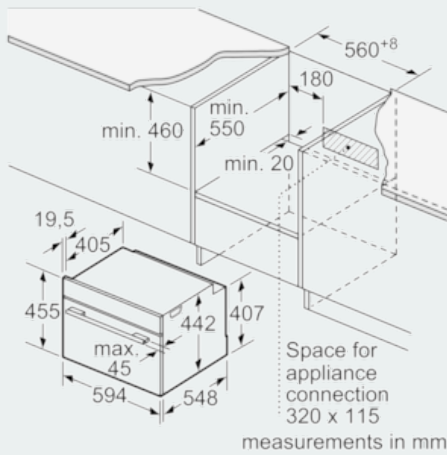
- Appliance dimension (hxwxh): 45.5 cm x 59.5 cm x 54.8 cm
- Cutout Dimensions (HxWxD): 56 cm - 56.8 cm x 45 cm - 45.5 cm x 55 cm

Connecting cable: 120 cm

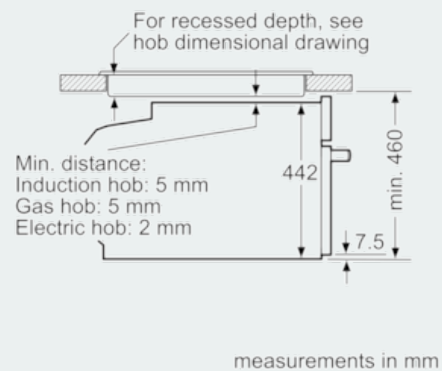
- Total connected load electric: 3.3 KW

iQ700
CS656GBS1, Stainless steel
Compact steam oven

Dimensioned drawings



Installation with a hob.



If the compact appliance will be installed underneath a hob, the following worktop thicknesses (including substructure if necessary) must be taken into account.

Hob type	min. worktop thickness	
	fitted	flush
Induction hob	42 mm	43 mm
Full surface Induction hob	52 mm	53 mm
Gas hob	32 mm	43 mm
Electric hob	32 mm	35 mm