

iQ700 HB676G5S1, Stainless steel Oven



Included accessories

- 1 x enamel baking tray
- 1 x combination grid
- 1 x universal pan

"The oven offers modern baking and roasting convenience for best results."

- ✓ 4D hotAir: flexible choice of shelf.
- ✓ TFT Touchdisplay: user-friendly menu navigation with good display features.
- ✓ activeClean: the automatic system for effortless cleaning.
- ✓ Energy efficiency class A: For efficient roasting and baking.
- ✓ cookControl Plus: guaranteed success for numerous dishes.

Features

Technical Data

Color / Material Front : Stainless steel
 Built-in / Free-standing : Built-in
 Integrated Cleaning system : Pyrolytic
 Required niche size for installation (HxWxD) : 585-595 x 560-568 x 550
 Dimensions of the product (mm) : 595 x 594 x 548
 Dimensions of the packed product (HxWxD) (mm) : 670 x 680 x 670
 Control Panel Material : Stainless steel
 Door Material : Glass
 Net weight (kg) : 38.5
 Usable volume of cavity (l) : 71
 Cooking method : , 4D hot air, Bottom heat, Conventional heat, Deep-frozen food special, Full width grill, Half width grill, Hot Air-Eco, Hot air grilling, low temperature cooking, Pizza setting, pre-heating, warming
 First cavity material : Enameled
 Number of interior lights : 1
 Approval certificates : CE, VDE
 Length electrical supply cord (cm) : 120
 Interior Lights - cavity 1 : 1
 Pull-out system : 3-level
 Clock function : Alarm, Off, On
 Included accessories cavity 1 : 1 x enamel baking tray, 1 x combination grid, 1 x universal pan
 Broil Element Wattages cavity 1 (W) : 2800
 Convection Element Wattages cavity 1 (W) : 2200
 Energy consumption per cycle conventional (2010/30/EC) : 0.90
 Energy consumption per cycle forced air convection (2010/30/EC) : 0.74
 Energy efficiency index (2010/30/EC) : 87.1
 Electrical connection rating (W) : 3600
 Current (A) : 16
 Voltage (V) : 220-240
 Frequency (Hz) : 60; 50
 Plug type : GARDY plug w/ earthing
 Color / Material Front : Stainless steel
 Energy input : Electric
 Approval certificates : CE, VDE
 Required cutout/niche size for installation (in) : x x
 Dimensions of the packed product (in) : 26.37 x 26.37 x 26.77
 Net weight (lbs) : 85
 Gross weight (lbs) : 90
 Length electrical supply cord (cm) : 120
 Net weight (kg) : 38.5
 Gross weight (kg) : 41.0



4 242003 671771

iQ700

HB676G5S1, Stainless steel

Oven

Features

Design:

- Full-glass inner door
- Full Color TFT display

Features:

- Cavity volume: 71 l
- Oven with 13 heating methods:
- 4D hot air, Hot Air-Eco, conventional, Conventional heat ECO, hot air grilling, Full width grill, Half width grill, pizza setting, Deep-frozen food special, bottom heat, low temperature cooking, keep warm, plate warming
- Number of glass panes: 4 PC
- Temperature range 30 °C - 300 °C
- Rotary knob
- Cavity inner surface: Enamel anthracite
- Integral cooling fan
- Handle with professional look door
- Illumination type: Round halogen light
- NO_FEATURE
- Drop down door, soft closing, soft opening
- Electronic clock timer
- Door temperature: 30 °C
- Rapid heating-up: automatic
- Electronic functions : Digital temperature display with proposal, Sabbath function, Actual temperature display, Heating-up indicator

Drop down door, soft opening, soft closing

- activeClean function
- Door temperature: 30 °C
- Child safety button
- Automatic safety switch off
- Residual heat indicator
- start button
- Door contact switch
- Cutout Dimensions (HxWxD): 56 cm - 56.8 cm x 58.5 cm - 59.5 cm x 55 cm
- Grill element: fixed assembled

Dimensions:

- Number of cooking modes: 13 PC
- Appliance dimension (hxwxd): 59.5 cm x 59.5 cm x 54.8 cm

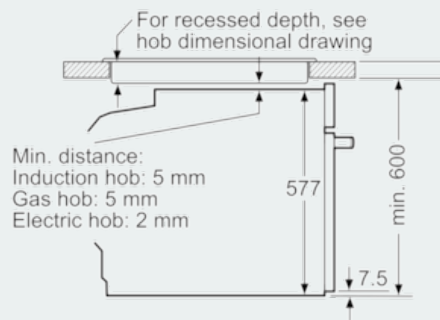
Connecting cable: 120 cm

- Total connected load electric: 3.65 KW

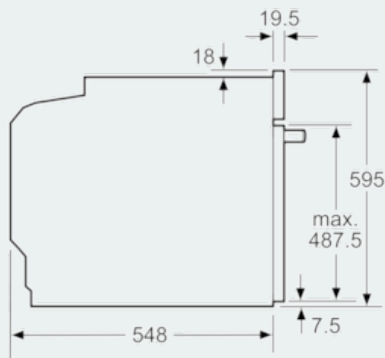
iQ700
 HB676G5S1, Stainless steel
 Oven

Dimensioned drawings

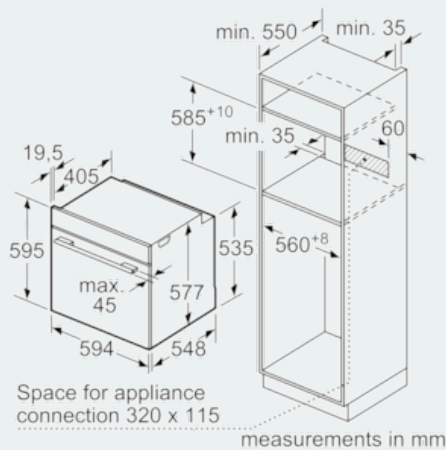
Installation with a hob.



measurements in mm



measurements in mm



If the appliance will be installed underneath a hob, the following worktop thicknesses (including substructure if necessary) must be taken into account.

Hob type	min. worktop thickness	
	fitted	flush
Induction hob	37 mm	38 mm
Full surface Induction hob	47 mm	48 mm
Gas hob	30 mm	38 mm
Electric hob	27 mm	30 mm

