

Serie | 8
PRS9A6D70
90 cm hob, Ceramic glass


Included accessories
 1 x WOK attachment ring

The ceramic glass gas hob with FlameSelect: achieve perfect cooking results thanks to nine precisely defined power levels.

- **FlameSelect:** for a precise adjustment of the flame in nine defined levels.
- **Digital display:** to indicate the selected power level and residual heat for more comfort and safety.
- **Dual wok burner:** dual flame system for very powerful cooking at up to 6 kW.
- **Dishwasher-proof pan supports:** for a convenient cleaning in the dishwasher.
- **Glass-ceramic surface:** highly heat-resistant as well as easy to clean.

Technical Data

Product name/family :	gas hob w integrated controls
Construction type :	Built-in
Energy input :	Gas
Total number of positions that can be used at the same time :	5
Required niche size for installation (HxWxD) :	45 x 850-852 x 490-502
Width of the product (mm) :	916
Dimensions of the product (mm) :	45 x 916 x 527
Dimensions of the packed product (HxWxD) (mm) :	165 x 1116 x 659
Net weight (kg) :	17.984
Gross weight (kg) :	22.0
Residual heat indicator :	Separate
Location of control panel :	Hob front
Basic surface material :	Ceramic
Color of surface :	Alu, brushed, Black
Color of frame :	Alu, brushed, Black
Approval certificates :	CE, Eurasian, Morocco, Ukraine
Length electrical supply cord (cm) :	150
Knob Material :	Plastic
Sealed Burners :	No
Type of pan support :	Elongated cast iron pan support
Electrical connection rating (W) :	2
Gas connection rating (W) :	13700
Current (A) :	3
Voltage (V) :	220-240
Frequency (Hz) :	50; 60
Main colour of product :	Black
Energy input :	Gas
Gas type :	Nat gas H/E/(L) 20 (25) mbar
Alternative gas type :	Liquid gas G30,31 28-30/37mbar
Approval certificates :	CE, Eurasian, Morocco, Ukraine
Plug type :	no plug
Appliance Dimensions (h x w x d) (in) :	+ x x
Dimensions of the packed product (in) :	6.49 x 25.94 x 43.93
Net weight (lbs) :	40
Gross weight (lbs) :	48
Total number of positions that can be used at the same time :	5
Length electrical supply cord (cm) :	150
Required niche size for installation (HxWxD) :	45 x 850-852 x 490-502
Dimensions of the product (mm) :	45 x 916 x 527
Dimensions of the packed product (HxWxD) (mm) :	165 x 1116 x 659
Net weight (kg) :	17.984
Gross weight (kg) :	22.0



Serie | 8 Hobs

PRS9A6D70

90 cm hob, Ceramic glass

The ceramic glass gas hob with FlameSelect: achieve perfect cooking results thanks to nine precisely defined power levels.

Design

- Ceramic glass

Features

- Step valve 9 steps
- Electronic display
- sword knobs
- Ignition via control knob
- Cast iron pan supports
- yes
- Power and size:
- 5 PC
- dual wok burner
- 4gas+wok (left)
- Right rear: Rapid burner up to 2.8 KW (depending on gas type)
- Left: Wok burner up to 6 KW (depending on gas type)
- Center rear: Economy burner 1.1 KW
- Center front: Standard burner 1.9 KW
- Right front: Standard burner up to 1.9 KW (depending on gas type)

Safety functions

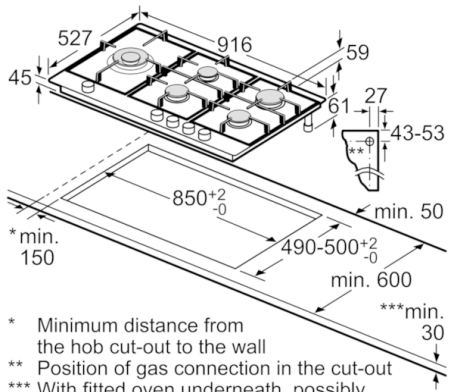
- Flame failure safety device
- 5-fold

Measurements

- 150 cm

Accessories

- Liquid gas nozzles (28-30/37mbar) included

Serie | 8 Hobs
PRS9A6D70
90 cm hob, Ceramic glass


- * Minimum distance from the hob cut-out to the wall
 - ** Position of gas connection in the cut-out
 - *** With fitted oven underneath, possibly more; see space requirements for the oven
- measurements in mm