



Included accessories

1 x lava stones

The Lava Grill hob of the Domino programme: grill perfectly using the intense, even heat of lava stones.

- **30 cm width:** suitable for combining with other Domino and ComfortProfile hobs.
- **Glass-ceramic cover:** elegant hob cover that is easy to clean.
- **Lava grill function:** for grilling with lava stones and water or with water alone.

Technical Data

| | |
|---|-----------------------------|
| Product name/family : | Vario/Domino barbecue grill |
| Built-in / Free-standing : | Built-in |
| Energy input : | Electric |
| Type of control : | mechanical |
| Grill grating material : | Cast iron |
| Required niche size for installation (HxWxD) : | 235 x x |
| Width of the product (mm) : | 306 |
| Dimensions of the product (mm) : | 235 x 306 x 527 |
| Dimensions of the packed product (HxWxD) (mm) : | 280 x 390 x 610 |
| Net weight (kg) : | 12.125 |
| Gross weight (kg) : | 14.0 |
| Residual heat indicator : | without |
| Basic surface material : | Cast iron |
| Color of surface : | Alu, brushed, Black |
| Color of frame : | Alu, brushed |
| Approval certificates : | CE, G-Mark, VDE |
| Length electrical supply cord (cm) : | 100 |
| Electrical connection rating (W) : | 2400 |
| Current (A) : | 13 |
| Voltage (V) : | 220-240 |
| Frequency (Hz) : | 50; 60 |



Serie | 2 Modular grill

The Lava Grill hob of the Domino programme: grill perfectly using the intense, even heat of lava stones.

- PKU375CA1M
- Facette front and rear, side profiles
- 30 cm, Barbecue grill

Design:

- Facette front and rear, side profiles
- Can be combined with all hobs in comfort design
- Removable black glass lid

Comfort:

- Operated via a fixed control
- Electronic regulation 9 power levels
- Stainless steel grill to be used with water or lava stones
- Electric cable, without plug

Environment+safety:

- Power on indicator light
- Drain valve

Professional equipment:

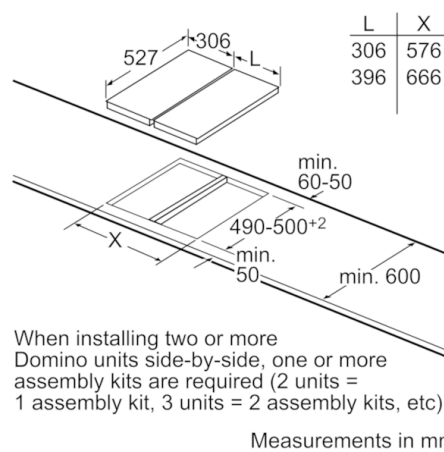
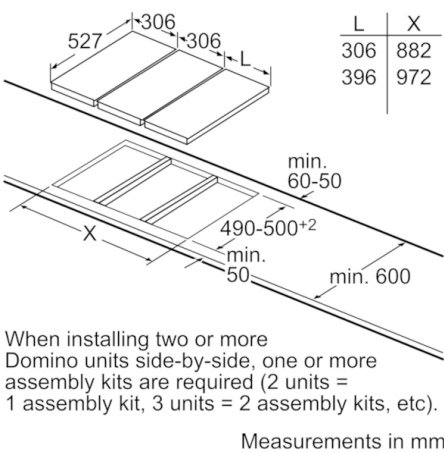
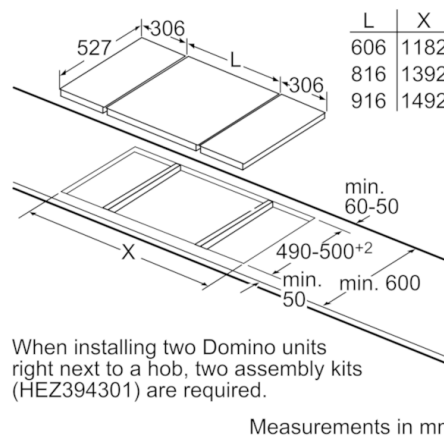
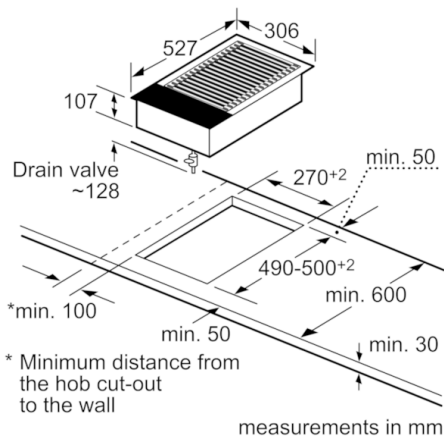
- 1 big grill zone on cast pan support

Quickness:

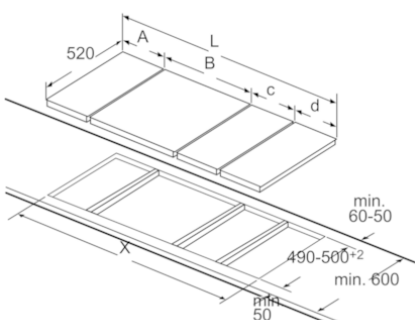
Measurements

- Min. worktop thickness: 30 mm

Serie | 2 Modular grill



Picture for the table Domino combination possibilities with corresponding devices and cutout dimensions



If two or more elements are installed right next to one another, one or several installation kits are required (2 elements 1 installation kit, 3 elements 2 installation kits, etc.).

Cutout dimension (X) depending on the combination see table:

Domino combination options with corresponding appliance and cut-out dimensions

| | | | | | | |
|------------------|-----|-----|-----|-----|-----|-----|
| Width type: | 30 | 40 | 60 | 70 | 80 | 90 |
| Appliance width: | 306 | 396 | 606 | 710 | 816 | 916 |

| | A | B | C | D | L | X |
|-------------------|-----|-----|-----|-----|------|------|
| 2x30 | 306 | 306 | - | - | 612 | 576 |
| 1x30, 1x40 | 306 | 396 | - | - | 702 | 666 |
| 1x30, 1x60 | 306 | 606 | - | - | 912 | 876 |
| 1x30, 1x70* | 306 | 710 | - | - | 1016 | 980 |
| 1x30, 1x80 | 306 | 816 | - | - | 1122 | 1086 |
| 1x30, 1x90 | 306 | 916 | - | - | 1222 | 1186 |
| 2x40 | 396 | 396 | - | - | 792 | 756 |
| 1x40, 1x60 | 396 | 606 | - | - | 1002 | 966 |
| 1x40, 1x70* | 396 | 710 | - | - | 1106 | 1070 |
| 1x40, 1x80 | 396 | 816 | - | - | 1212 | 1176 |
| 1x40, 1x90 | 396 | 916 | - | - | 1312 | 1276 |
| 3x30 | 306 | 306 | 306 | - | 918 | 882 |
| 2x30, 1x40 | 306 | 306 | 396 | - | 1008 | 972 |
| 2x30, 1x60 | 306 | 306 | 606 | - | 1218 | 1182 |
| 2x30, 1x70* | 306 | 306 | 710 | - | 1322 | 1286 |
| 2x30, 1x80 | 306 | 306 | 816 | - | 1428 | 1392 |
| 2x30, 1x90 | 306 | 306 | 916 | - | 1528 | 1492 |
| 1x30, 2x40 | 306 | 396 | 396 | - | 1098 | 1062 |
| 1x30, 1x40, 1x60 | 306 | 396 | 606 | - | 1308 | 1272 |
| 1x30, 1x40, 1x70* | 306 | 396 | 710 | - | 1412 | 1376 |
| 1x30, 1x40, 1x80 | 306 | 396 | 816 | - | 1518 | 1482 |
| 1x30, 1x40, 1x90 | 306 | 396 | 916 | - | 1618 | 1582 |
| 2x40, 1x60 | 396 | 396 | 606 | - | 1398 | 1362 |
| 4x30 | 306 | 306 | 306 | 306 | 1224 | 1188 |