

**Serie | 2**
**Oven HBN559E1M  
60cm built-in Stainless steel  
Oven**

**A**

**Included accessories**

1 x enamel baking tray  
1 x combination grid  
1 x universal pan

**The built-in oven with special hot air function: you achieve perfect baking and roasting results on up to two levels simultaneously.**

- **Hotair:** Perfect results thanks to optimal distribution of heat on up to 2 levels simultaneously.
- **Flap door:** for especially convenient opening and closing of the oven door.
- **Energy efficiency class A:** best baking results with low energy consumption.

**Technical Data**

|   |  |
|---|--|
| Color / Material Front :  | Stainless steel  |
| Built-in / Free-standing :  | Built-in   |
| Integrated Cleaning system :                                      | No   |
| Required niche size for installation (HxWxD) :                    | 575-597 x 560-568 x 550  |
| Dimensions of the product (mm) :                                  | 595 x 595 x 548  |
| Dimensions of the packed product (HxWxD) (mm) :                   | 675 x 680 x 655  |
| Control Panel Material :  | Stainless steel  |
| Door Material :   | Glass  |
| Net weight (kg) :   | 32.181   |
| Usable volume of cavity (l) :                                     | 66   |
| Cooking method :  | 3D hot air, Bottom heat, Conventional heat, Defrost, Full width variable grill, Half width variable grill, Hot air grilling, Pizza setting |
| First cavity material :   | Enamelled  |
| Number of interior lights :                                       | 1  |
| Approval certificates :   | CE, KEMA   |
| Length electrical supply cord (cm) :                              | 100  |
| Interior Lights - cavity 1 :                                      | 1  |
| Pull-out system :   | 1-level  |
| Clock function :  | Alarm, Off, On   |
| Included accessories cavity 1 :                                   | 1 x enamel baking tray, 1 x combination grid, 1 x universal pan  |
| Broil Element Wattages cavity 1 (W) :                             | 2800   |
| Energy efficiency class (2010/30/EC) :                            | A  |
| Energy consumption per cycle conventional (2010/30/EC) :          | 0.98   |
| Energy consumption per cycle forced air convection (2010/30/EC) : | 0.82   |
| Energy efficiency index (2010/30/EC) :                            | 98.8   |
| Electrical connection rating (W) :                                | 2900   |
| Current (A) :   | 13   |
| Voltage (V) :   | 220-240  |
| Frequency (Hz) :  | 50; 60   |
| Plug type :   | no plug  |
| Color / Material Front :  | Stainless steel  |
| Energy input :  | Electric   |
| Approval certificates :   | CE, KEMA   |
| Required cutout/niche size for installation (in) :                | x x  |
| Dimensions of the packed product (in) :                           | 26.57 x 25.78 x 26.77  |
| Net weight (lbs) :  | 71.000   |
| Gross weight (lbs) :  | 76   |
| Length electrical supply cord (cm) :                              | 100  |
| Net weight (kg) :   | 32.181   |
| Gross weight (kg) :   | 34.0   |



4 242002 863726

## Serie | 2 Ovens

### Oven HBN559E1M 60cm built-in Stainless steel Oven

**The built-in oven with special hot air function: you achieve perfect baking and roasting results on up to two levels simultaneously.**

---

#### Heating Modes

- Oven with 8 heating modes:
  - Defrost setting
  - Conventional heat
  - Pizza setting
  - Bottom heat
  - Hot air grilling
  - 3D hot air
  - Half width variable grill
  - Full width variable grill

#### Design

- Rotary control dials
- Electronic clock
- Straight Bar handle
- Enamelled cavity

#### Comfort

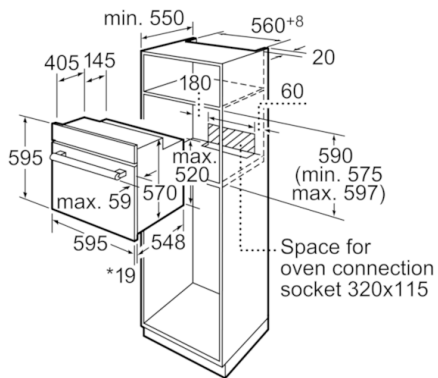
- Cavity volume: 66 L
- Temperature range 50 °C - 270 °C
- Catalytic oven cavity (rear wall)
- Oven cavity with removable rack supports
- Child lock

#### Technical Information

- Dimensions of the product (HxWxD mm) : 595 x 595 x 548
- Required niche size for installation (HxWxD mm): 575 - 597 x 560 - 568 x 550
- Length of main cable: 100 cm
- Electrical connection rating: 2,900 W

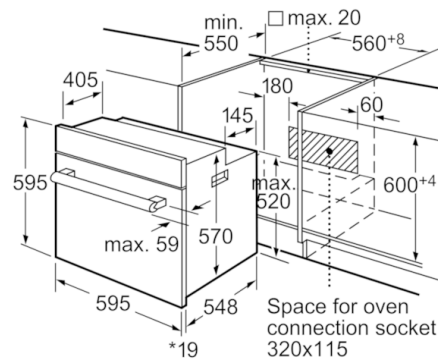
## Serie | 2 Ovens

### Oven HBN559E1M 60cm built-in Stainless steel Oven



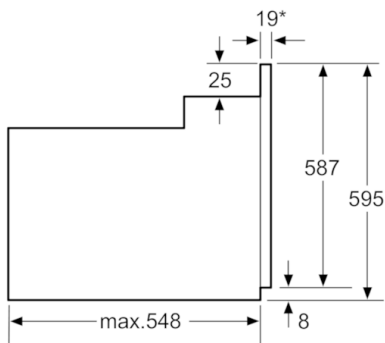
\*20 mm for metal fascias

Measurements in mm



\*20 mm for metal fascias

Measurements in mm



\* 20 mm for metal fascias

Dimensions in mm