

iQ300
LC87KHM60
Chimney hood, 80 cm
Inclined glass brand design
black with glass canopy



Angled extractor hood with outstanding design and high extraction rate for a powerful performance.

- ✓ The powerful motor with an high extraction rate of 680 m³/h for fresh air in your kitchen.
- ✓ The energy-saving LED lighting ensures optimal visibility when cooking.
- ✓ The intensive setting temporarily increases the extraction rate when kitchen vapour is especially intense, with automatic revert after 6 min.
- ✓ At 56 dB the hood is pleasantly quiet when being used.

Features

Technical data

Color chimney : Stainless steel
 Typology : Chimney
 Approval certificates : CE, Eurasian, VDE
 Length electrical supply cord (cm) : 130
 Height of product, without chimney (mm) : 323
 Net weight (kg) : 18.0
 Type of control : Electronic
 Maximum output air extraction (m³/h) : 420
 Boost position output recirculating (m³/h) : 570
 Maximum output recirculating air (m³/h) : 380
 Boost position air extraction (m³/h) : 680
 Number of lights : 2
 Noise level (dB(A) re 1 pW) : 56
 Diameter of air outlet (mm) : 120 / 150
 Grease filter material : Washable aluminium
 Odour filter : No
 Operating Mode : Convertible
 Optional accessories : HZG9AS00S, LZ00XXP00, LZ10AKA00, LZ10AKR00, LZ10AKS00, LZ10AKT00, LZ10AKU00, LZ10AXC50, LZ10AXK50, LZ10AXL50, LZ56200
 Type of lamps used : LED
 Grease filter type : Kassette
 Connection Rating (W) : 263
 Current (A) : 10
 Voltage (V) : 220-240
 Frequency (Hz) : 50; 60
 Plug type : Gardy plug w/ earthing
 Installation typology : Wall-mounted
 Material body : Glass, Lacquered
 Approval certificates : CE, Eurasian, VDE
 Plug type : Gardy plug w/ earthing
 Dimensions of the product, with chimney (if exists) (in) : / x x
 Dimensions of the packed product (in) : 25.59 x 29.92 x 39.76
 Net weight (lbs) : 39
 Gross weight (lbs) : 63
 Motor location : Integrated motor in hood body
 No-return airflow flap : Yes
 Length electrical supply cord (cm) : 130
 Dimensions of the product, with chimney (if exists) (mm) : 452 x 790 x 499
 Dimensions of the packed product (HxWxD) (mm) : 650 x 760 x 1010
 Net weight (kg) : 18.0
 Gross weight (kg) : 29.0

Optional accessories

LZ56200 CleanAir active carbon filter spare part



iQ300
LC87KHM60
Chimney hood, 80 cm
Inclined glass brand design
black with glass canopy

Features

- Energy Efficiency Class: A*
- Average Energy Consumption: 51 kWh/year*
- Blower Efficiency Class: A*
- Lighting Efficiency Class: A*
- Grease Filtering Efficiency Class: C*
- Noise max. Normal Level: 56 dB*

Technical information:

- Chimney hood
- 80 cm
- black
- Glass plate: clear glass black printed
- Ducted/Recirculating operation
- In recirculation operation chimless use possible
- For recirculated extraction a recirculating kit or a CleanAir recirculation kit (accessory) is needed
- Designed for wall mounted installation
-
- touch control for extractor speeds and light
- Electronic controls
- touch control with Electronic display
- 3 speed control plus intensive setting via touch control
- Electronic controls via touch control with Electronic display
- 3 speed control plus intensive setting
- 2 capture areas: front side and bottom side
- Intensive op. revert dur.: 6 min.
- Easy to clean
- Twin channel high performance fan motor
-
- 2 x 1,5W LED
- Metal grease filter with side extraction
- Filter cover glass
- Removable metal grease filters, dishwasher safe
- Extraction rate according to DIN/EN 61591 \varnothing 15 cm: max. Normal 420 m³/h Intensive 680 m³/h
- Extraction rate exhaust air according to EN 61591: max. normal use 420 m³/h, intensive 680 m³/h
- Noise level according to EN 60704-3 and EN 60704-2-13 exhaust air:
 Max. normal use: 56 dB(A) re 1 pW (42 dB(A) re 20 μ Pa sound pressure)
 Intensive: 65 dB(A) re 1 pW (51 dB(A) re 20 μ Pa sound pressure)
- Diameter pipe \varnothing 150 mm (\varnothing 120 mm enclosed)
- Max. extraction rate: 680 m³/h
- Extraction rate in recirculation mode:
 Max. normal use: 380 m³/h
 Intensive: 570 m³/h
- Noise levels in recirculation mode:
 Max. normal use: 65 dB(A) re 1 pW (51 dB(A) re 20 μ Pa sound pressure)
 Intensive: 75 dB(A) re 1 pW (61 dB(A) re 20 μ Pa sound pressure)
- Power rating: 263 W
- Dimensions exhaust air (HxWxD): 928-1198 x 790 x 499 mm
- Dimensions recirculating, chimney (HxWxD): 988-1258 x 790 x 499 mm
- Dimensions recirculating, chimless (HxWxD): 452 mm x 790 x 499 mm

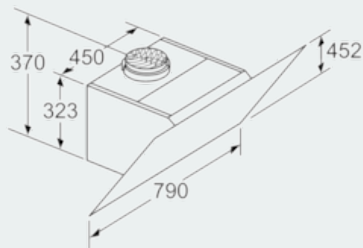
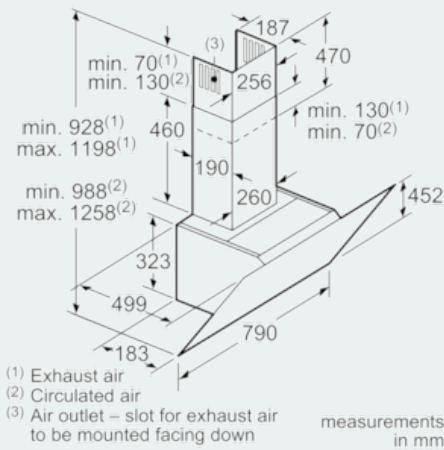
iQ300
LC87KHM60
Chimney hood, 80 cm
Inclined glass brand design
black with glass canopy

Features

** In accordance with the EU-Regulation No 65/2014*

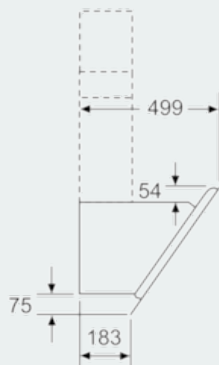
iQ300
LC87KHM60
Chimney hood, 80 cm
Inclined glass brand design
black with glass canopy

Dimensioned drawings

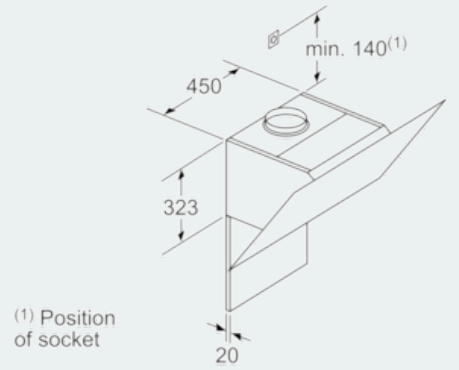
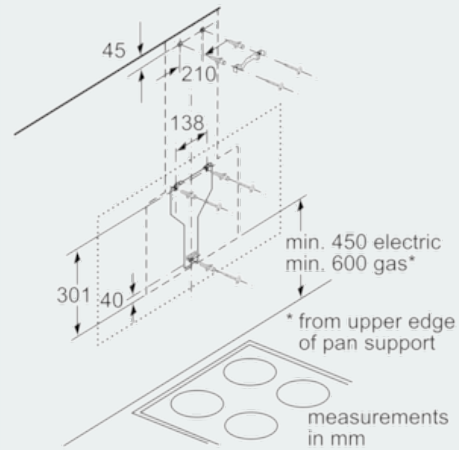


Appliance in circulated air mode without duct
 Circulated air set required

measurements in mm



measurements in mm



Note the maximum thickness of the back panel.

measurements in mm

